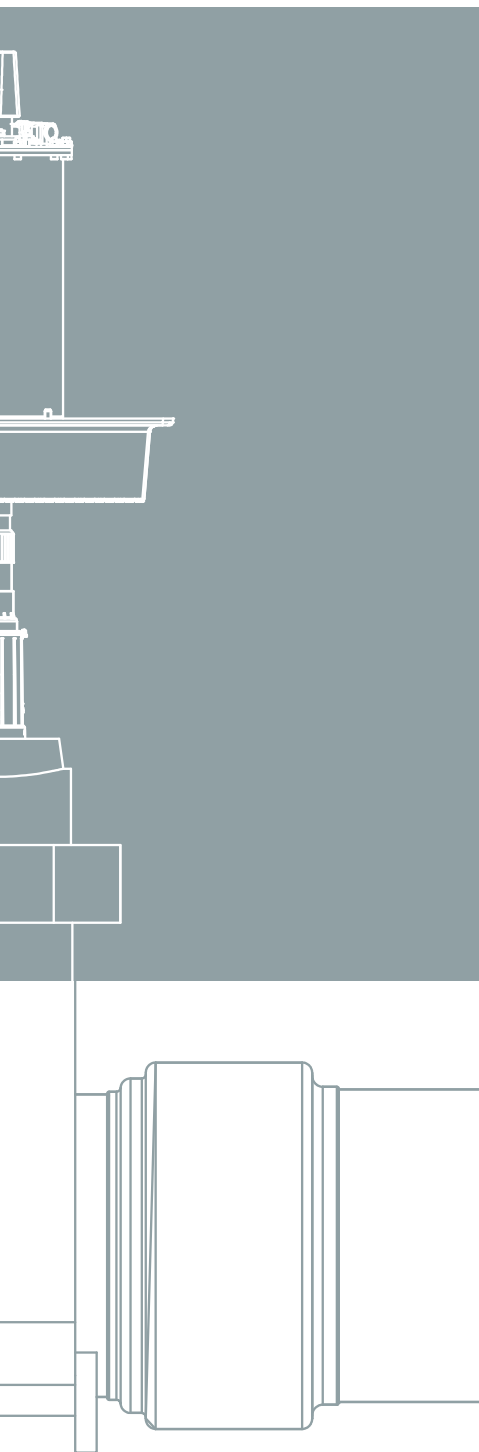


> 3S AIG XS Valve Maintenance Device

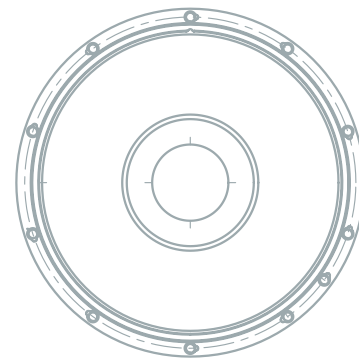


> Models

Model	Torque	Rotation speed
	max.	max.
XS-900	900	18
XS-800	800	22
XS-450	450	38.5

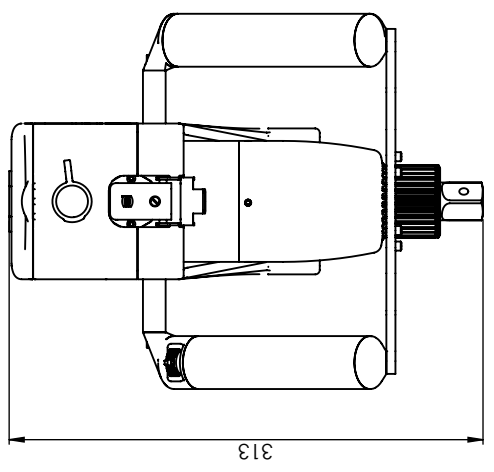
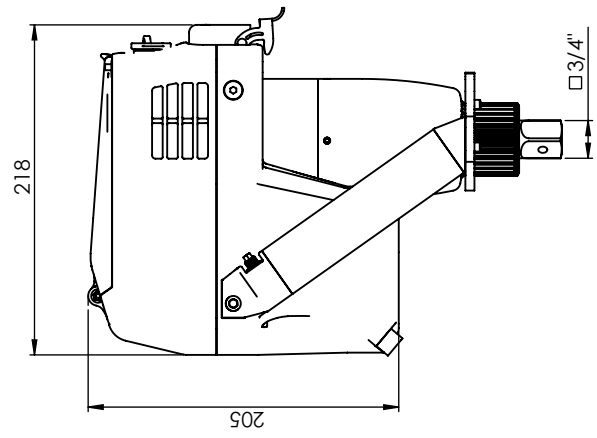
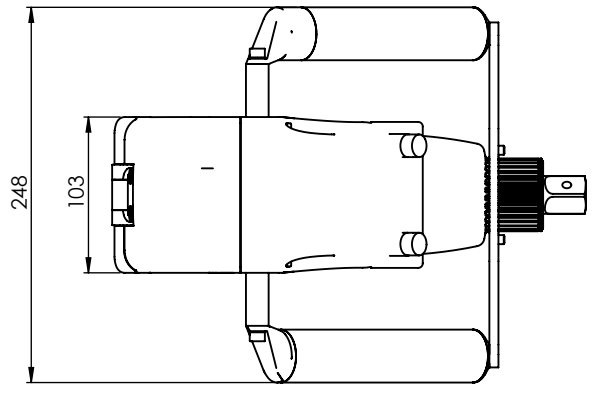
> Control

Touch-screen user interface	5 inch, 480x800 RGB
Torque/ speed control	Via touch-screen user interface and two-way electronic switch
Feed-back valve status data	Current torque and position, valve turns, maximum torque
Valve selection	Via touch-screen user interface
Data interface valve master/measurement data	USB, bluetooth, mobile radio (optional)

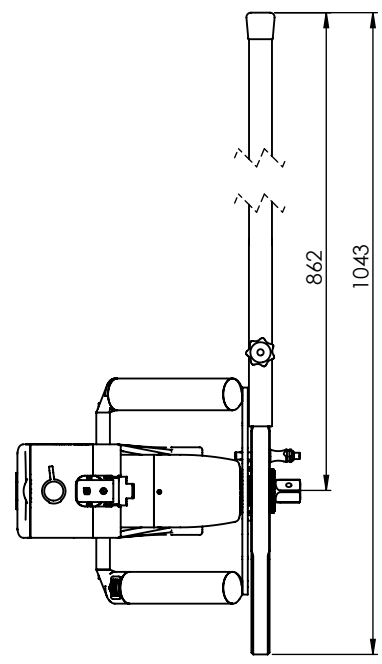
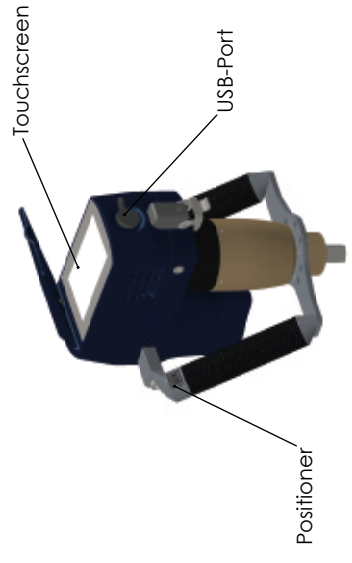


> Actuator data

Weight	5.3 kg
Power supply	50 V DC via 3S Battery Pack 680 (680 Wh, 13 Ah)
Power input	1500 W max.
Motor protection	Thermosensor, current limiting
Torque switching	Electronic continuous adjustment
Position feedback	Digital motor control
Connection gearbox output	3/4 inch square-end
Motor	Variable-speed 48 V DC, synchronous motor, permanent excitation
Operating mode	Duty type S2-30 min, duty type S3-50 % 60 min
Gearbox	High-performance planetary gearing
Protection class	IP23
Ambient temperature	-10 to + 40 °C



View with reaction arm
Scale 1:5



* Weight AIG XS with reaction arm and
one hand lever extension: 7100g

Title		Customer Drawing 3S AIG XS	
Material		miscellaneous	
Weight (g)	Scale	Date	Drawn by
5300*	1:3	18.03.2016	D. Bohle
Status		Revision	Tolerances
Checked by		Format	DWG No
D. Olszewski		A3	07.0006
Index		1	



3S Antriebe GmbH
Ullsteinstraße 108
12109 Berlin

Tel +49(30)7007764-0
Fax +49(30)7007764-20
info@3S-Antriebe.de

www.3S-Antriebe.de
www.blog.3S-antriebe.com