



Polyring KD 21



Danish Wastewater
Equipment

Polyring KD 21

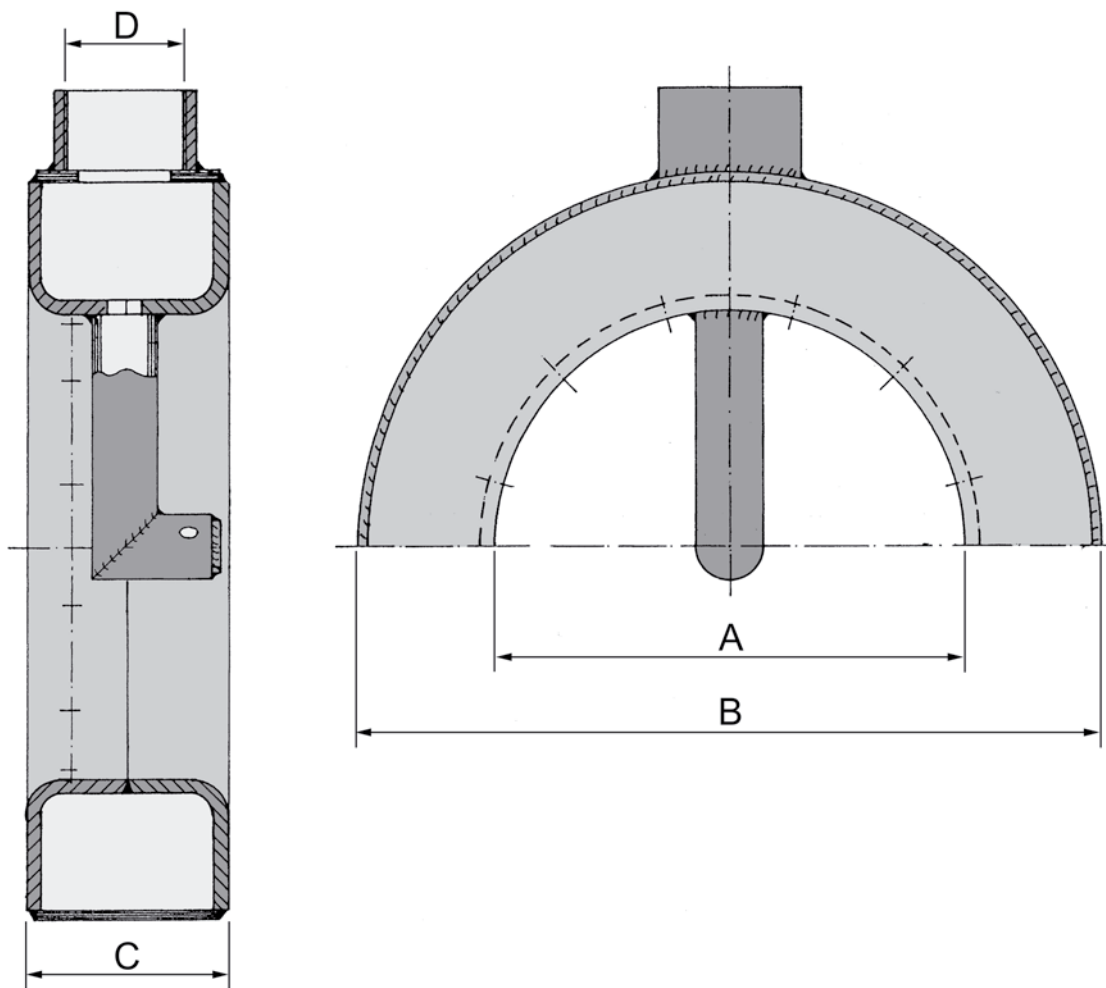
The Polyring KD 21 adds liquid polymer to the sludge before the drainage takes place and is mainly used when the SS > 1%. The Polyring consists of a welded hollow profile with holes on the inside, and an injection nozzle attached in the direction of the flow.

The polymer is added through the holes as well as the injection nozzle. When the polymer is injected into the center of the sludge stream, a homogeneous distribution of the polymer is ensured.

The Polyring is placed in the piping with a flange connection.

Advantages:

- Low investment costs
- No operating cost
- Homogeneous distribution of the polymer
- Easily demounted for cleaning.



| Max capacity | 10 m ³ h | 15 m ³ h | 20 m ³ h | 25 m ³ h | 40 m ³ h | 50 m ³ h | 75 m ³ h |
|--------------|---------------------|---------------------|---------------------|---------------------|---------------------|---------------------|---------------------|
| A | DN 50 | DN 65 | DN 80 | DN 100 | DN 125 | DN 150 | DN 200 |
| B | 106 mm | 126 mm | 142 mm | 162 mm | 192 mm | 216 mm | 272 mm |
| C | 32 mm | 40 mm | 40 mm | 44 mm | 50 mm | 50 mm | 50 mm |
| D | ½" RG | ½" RG | ¾" RG | ¾" RG | 1" RG | 1" RG | 1¼" RG |

Specifications:

Type of steel: Stainless steel EN1.4301

Surface treatment: Dip-pickled

Other connections can be made upon request.

02.2014 GB